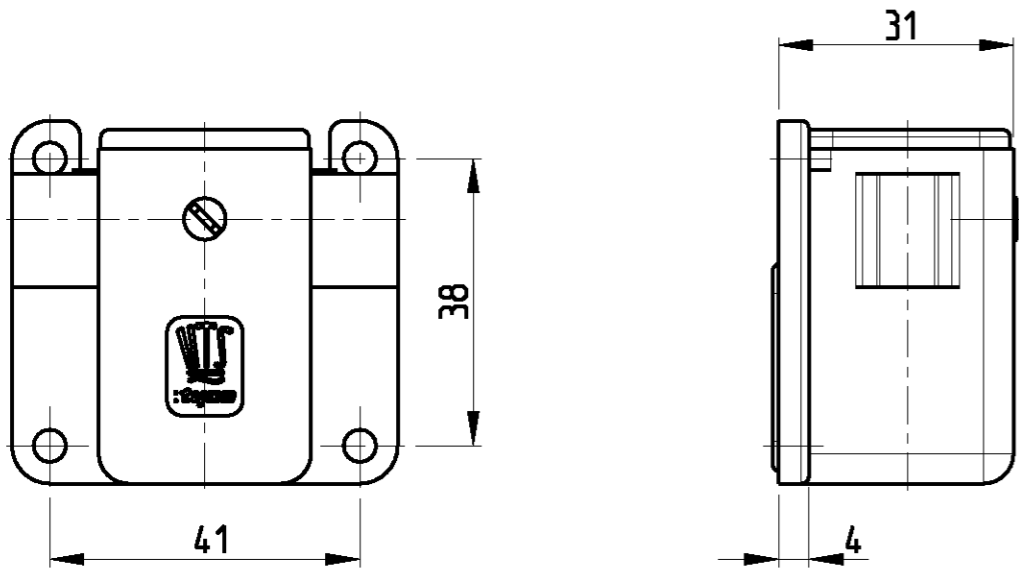


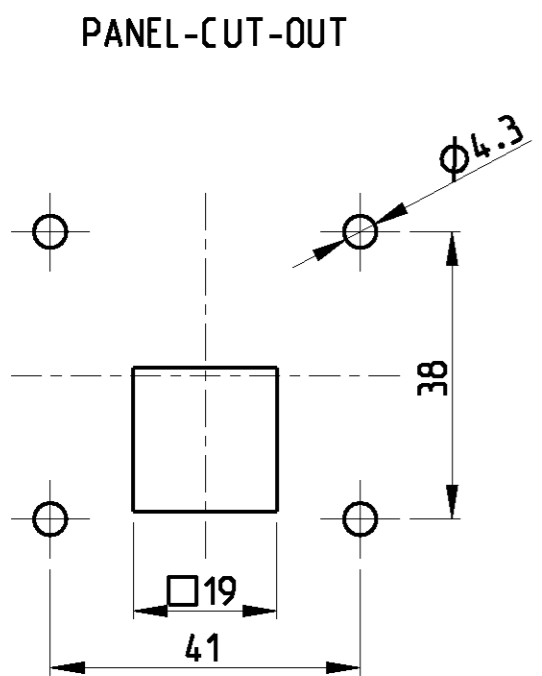
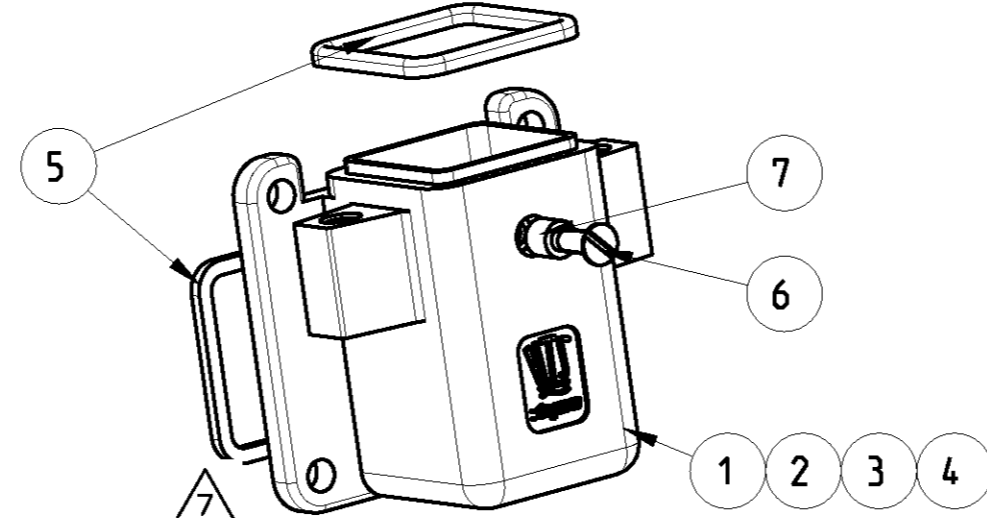
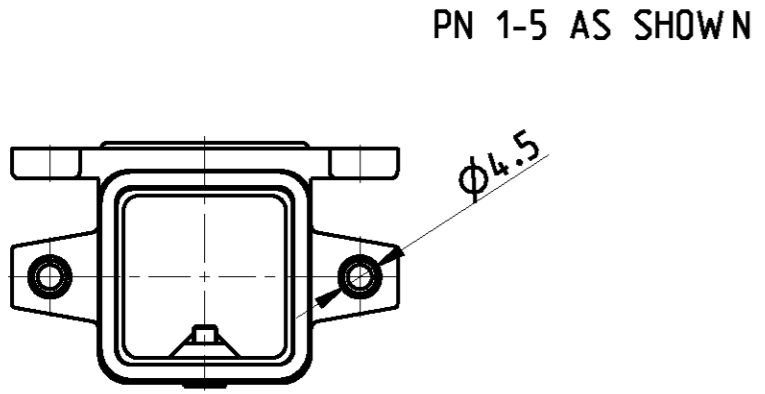
THIS DRAWING IS UNPUBLISHED. RELEASED FOR PUBLICATION 2009
 © COPYRIGHT 2009 BY TYCO ELECTRONICS CORPORATION. ALL INTERNATIONAL RIGHTS RESERVED.

| LOC | DIST | REVISIONS | | | |
|-----|------|---------------------------|-----------|-----|------|
| P | LTR | DESCRIPTION | DATE | DWN | APVD |
| A6 | | ECR-09-023155 | 22OCT2009 | VG | AR |
| A7 | | REVISDE PER ECO-09-024717 | 06NOV09 | KK | AEG |



Notes

- 1 SUITABLE HOUSINGS: SERIES HIP, SIZE 1
CUSTOMER DRAWING 1102600, 1106408, 1106200
- 2 STANDARDS:
DIN EN 61984, DIN EN 60664-1
- 3 PN 0-3 WITHOUT PROFILE SEAL
- 4 TOOL:
SLOTTED SCREW DRIVER 4.0x0.8
- 5 VARNISH ON INSIDE AREA NOT NECESSARY
- 6 PACKAGING:
10 SETS IN A CARTON, PRE-MOUNTED
- 7 OBSOLETE PARTS: OBSOLETE CIS STREAMLINING
PER D.RENAUD/D.SINISI



| PART NO. | ORDERING TEXT |
|------------------------|-------------------------------|
| 0-1102602-3 | HIP-K.3/4.SGF.S0 |
| 0-1102602-4 | HIP-K.3/4.SGF-GELB |
| 2-1102602-5 | HIP-K.3/4.SGF |
| 1-1102602-5 | HIP.3/4.SGF |

| QTY | PN | DESCRIPTION | MATERIAL | COLOR/SURFACE | NOTE | ITEM |
|-----|-----|------------------------------------|---------------|---------------|---------------------------|------|
| 1 | 1 | HOSE SECTION | FKM | BLACK | SERIES EMV / HIP Ø3x1x4.5 | 7 |
| 1 | 1 | SCREW, SLOTTED COUNTERS. FLAT HEAD | STAINL. STEEL | BLANK | M3x8 DIN EN ISO 2009 | 6 |
| 1 | 2 | PROFILE SEAL | FKM | BLACK | SERIES EMV / HIP | 5 |
| - | 1 | ANGLED BULKHEAD HOUSING | ALU | YELLOW | SERIES HIP-K | 3 |
| 1 | - | ANGLED BULKHEAD HOUSING | ALU | BLACK | SERIES HIP-K | 2 |
| - | - | ANGLED BULKHEAD HOUSING | ALU | GREY | SERIES HIP | 1 |
| 0-3 | 0-4 | 2-5 | 1-5 | | | |
| | | | | | | |

PARTS LIST (PER ONE UNIT)

| | | | |
|--|---|--|--|
| THIS DRAWING IS A CONTROLLED DOCUMENT FOR TYCO ELECTRONICS CORPORATION IT IS SUBJECT TO CHANGE AND THE CONTROLLING ENGINEERING ORGANIZATION SHOULD BE CONTACTED FOR THE LATEST REVISION. | | DWN V.GLUMM 19AUG2009 CHK H.Braun 19AUG2009 APVD T.Schnurpfeil 19AUG2009 | Tyco Electronics Tyco Electronics AMP GmbH 64625 Bensheim (Germany) |
| DIMENSIONS: mm | TOLERANCES UNLESS OTHERWISE SPECIFIED: 0 PLC ± 1 PLC ± 2 PLC ± 3 PLC ± 4 PLC ± ANGLES ± | PRODUCT SPEC APPLICATION SPEC WEIGHT - | NAME ANGLED BULKHEAD HOUSING ASS'Y BOTTOM ENTRY, SERIES HIP, SIZE 1 |
| MATERIAL - | FINISH - | SIZE A3 | CAGE CODE 00779 |
| CUSTOMER DRAWING | | DRAWING NO C-1102602 | RESTRICTED TO - |
| | | SCALE 1:1 | SHEET 1 OF 1 REV A7 |